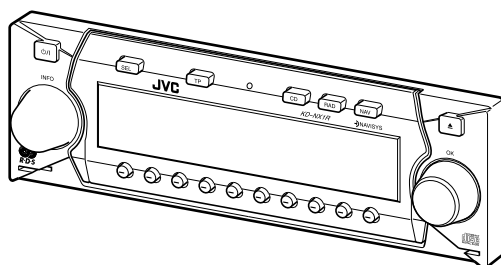


JVC

SERVICE MANUAL

NAVIGATION/CD RECEIVER

KD-NX1R



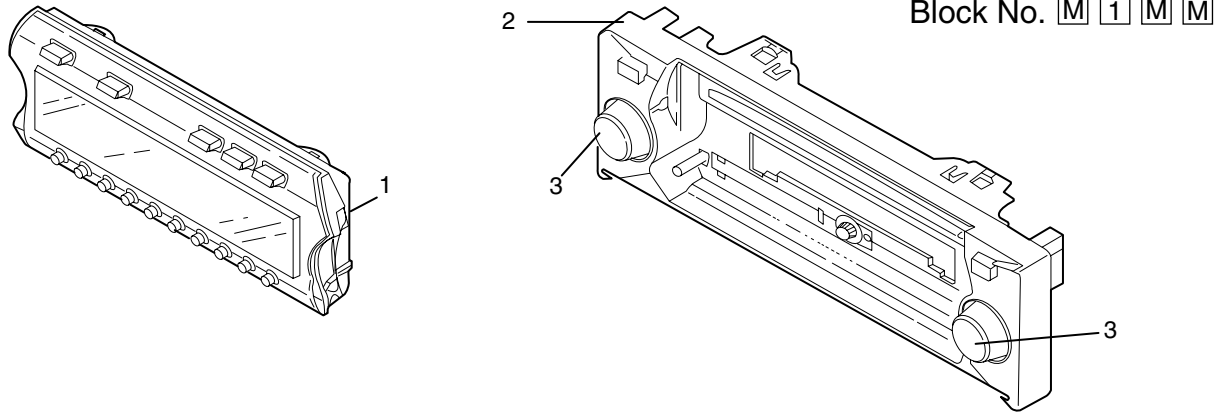
Area Suffix
E Continental Europe



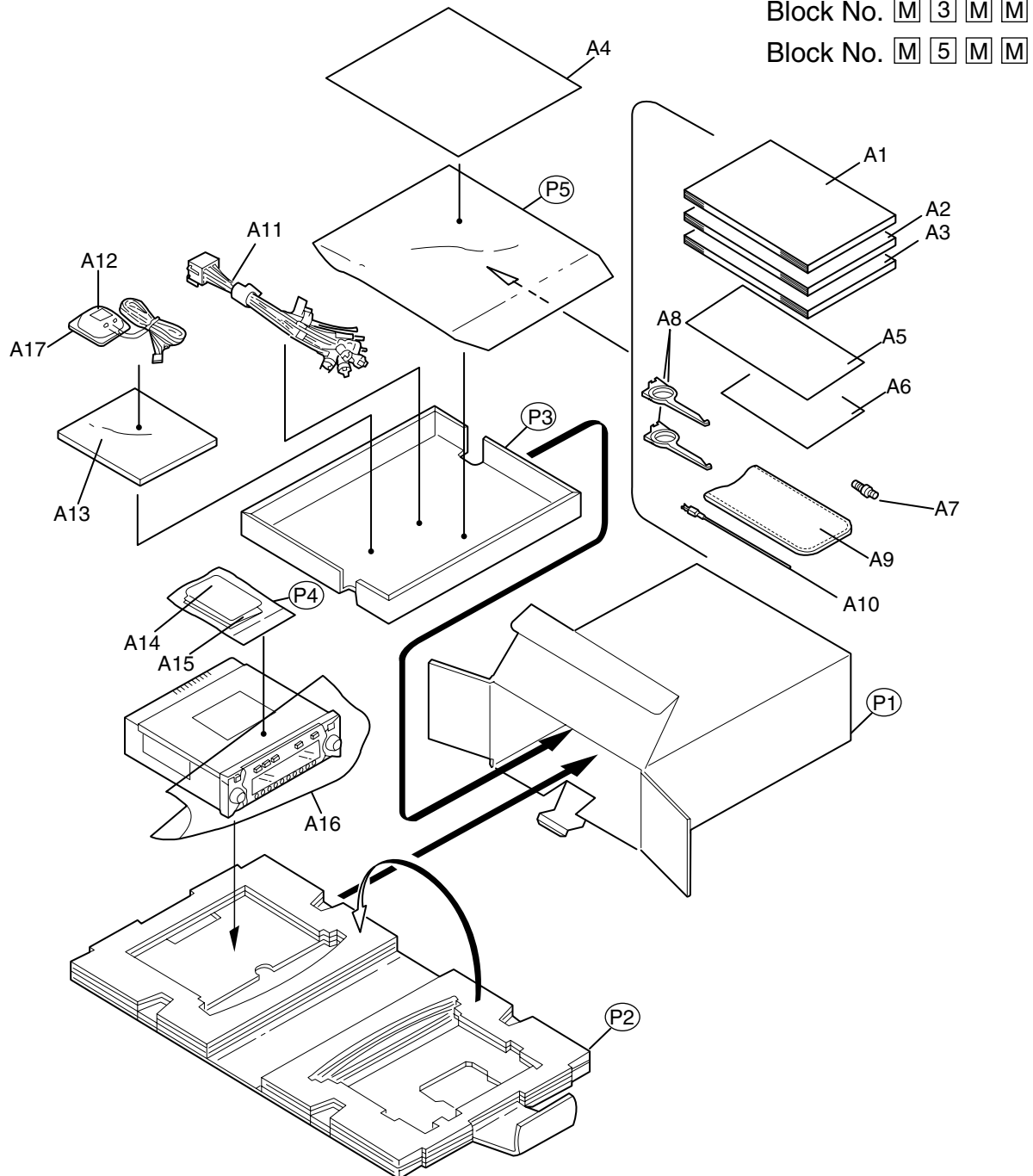
Contents

Parts list 2,3

Exploded view of general assembly and parts list



Packing materials and accessories parts list



■ Parts list (General assembly)

Block No. M1MM

△	Item	Parts number	Parts name	Q'ty	Description	Area
	1	KS-PNX1R	Detachable front panel	1		
	2	KS-PFRNX1R	Front chassis	1		
	3	LV33194-001A	Volume knob ass'y	1		

■ Parts list (Packing)

Block No. M3MM

△	Item	Parts number	Parts name	Q'ty	Description	Area
	P 1	1399.314	Gift box(carton)	1		
	P 2	1282.514	Cushion	1		
	P 3	1282.522	Tray	1		
	P 4	1276.190	Poly bag(code card)	1		
	P 5	1399.292	Poly bag(accessory)	1		

■ Parts list (Accessories)

Block No. M5MM

△	Item	Parts number	Parts name	Q'ty	Description	Area
	A 1	1399.225	Instructions D,GB,F,I	1		
	A 2	1399.233	Instructions E,NL,S,DK	1		
	A 3	1399.241	Installation guide	1		
	A 4	BT-54013-2	Warranty card	1		
	A 5	1399.276	Registration card	1		
	A 6	1327.348	License Agreement	1		
	A 7	1213.891	Bolt	1		
	A 8	1248.286	Hook	1		
	A 9	1317.679	Soft case	1		
	A 10	1294.202	Lead with contact	1		
	A 11	1270.141	Cord ass'y	1		
	A 12	1386.212	Antenna GPS(ass'y)	1		
	A 14	1408.690	Code card	1		
	A 15	1408.704	Sticker window	1		
	A 16	1272.101	Sheet	1		
	A 17	1342.274	Metal plate for GPS ant.			

■ Others: (for sales channel)

△	Item	Parts number	Parts name	Q'ty	Description	Area
		1322.354	Carton(repair)	1		
	A13	1399.306	CD-ROM	1		



VICTOR COMPANY OF JAPAN, LIMITED

MOBILE ELECTRONICS DIVISION

PERSONAL & MOBILE NETWORK BUSINESS UNIT. 10-1,1Chome,Ohwatari-machi,Maebashi-city,371-8543,Japan